

AV-D30 (T Series) Dynamic Mount

Tilt

Features

- Intuitive grab and move operation enhances the user experience
- No knobs or tools required to reposition the display
- Precise control of operating effort ensures ideal "feel"
- Holds securely, even in applications with dynamic loading
- Consistent repeatable operation
- Fully enclosed for optimum cleanability
- VESA MIS-D, 100, C compliant
- Available in black or white

Material

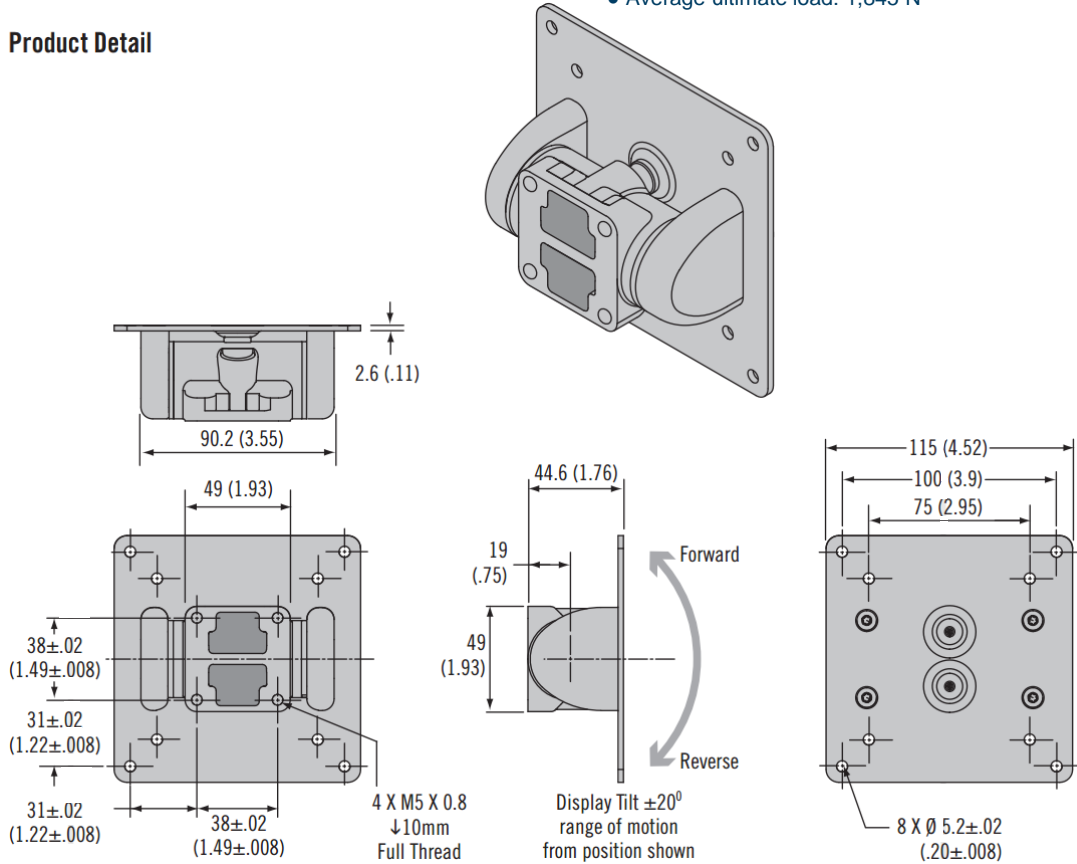
- Aluminum alloy, powder coated

Product Performance

- Cycle performance: 20,000 cycles within $\pm 20\%$ of static torque specification
- Max. dynamic working load:
 - Model 101 and 103: 70 N
 - Model 102: 100 N
- Average ultimate load: 1,845 N



Product Detail

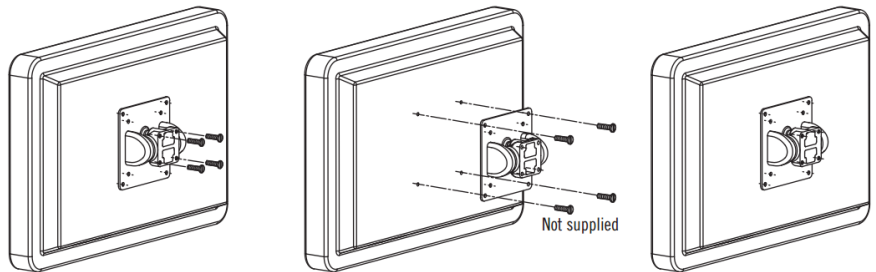


Installation

1. Determine desired mounting location
2. Attach using M5x0.8 screws as shown

Caution: Because of the wide variety of available materials, it is the installer's responsibility to ensure that the materials, and structure to which the tilt mount is fastened will provide adequate support.

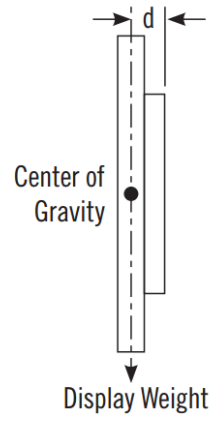
3. Attach display using manufacturer's recommended hardware



Specification and Selection

Step 1

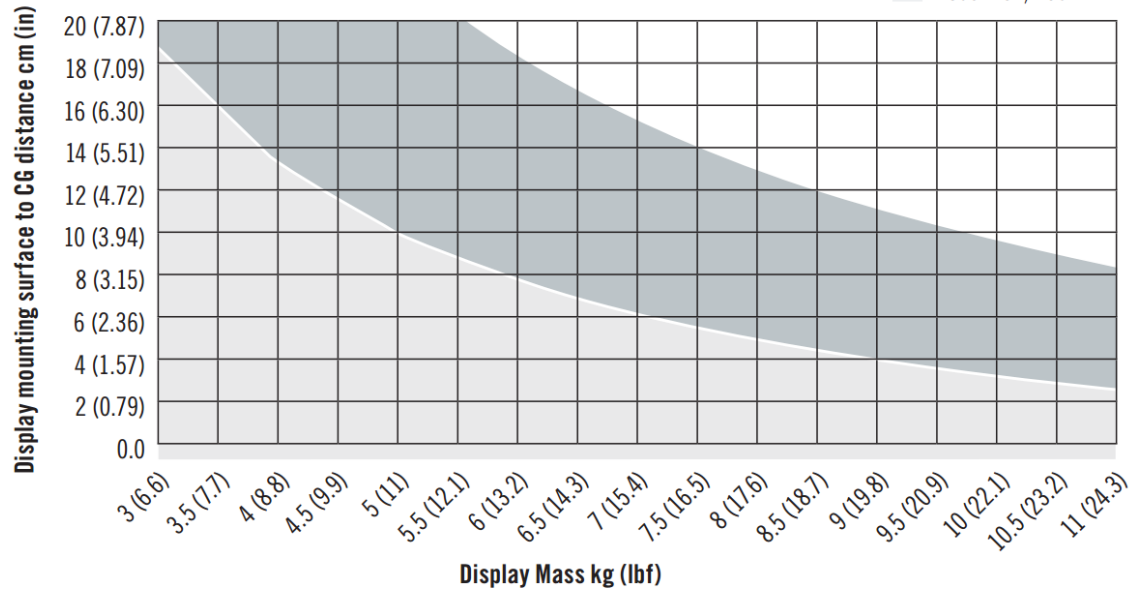
Determine display weight and distance (d) from mounting surface to center of gravity.



Step 2

Use chart below to select model (101, 102 or 103).

■ Model 102
■ Model 101, 103



Step 3

Complete part number by selecting model and color options below.

Model S	Tilt Torque N·m (in·lbf)	
	Reverse	Forward
101	7.9 (70)	2.2 (19.5)
102	15.4 (136)	2.26 (20)
103	8.6 (76)	6 (53)

F	Color
50	Black
76	White

AV - D30 - 5T **S** - **F**